

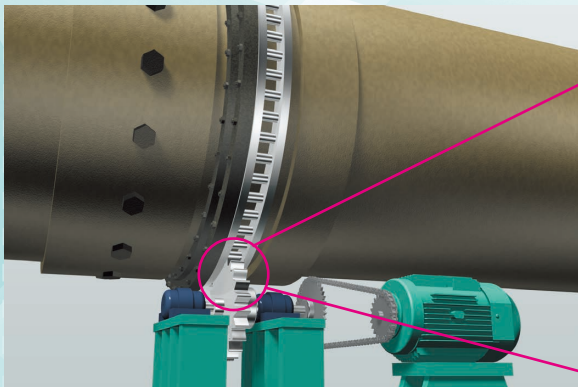
NEW

TSUBAKI PIN GEAR DRIVE UNITS

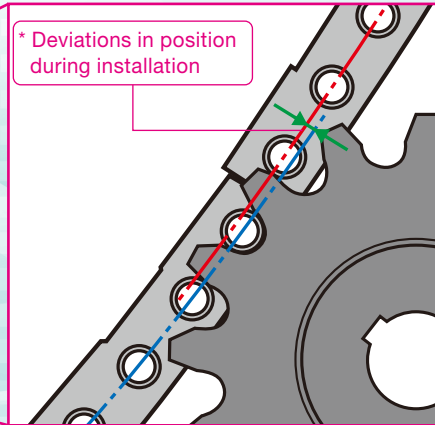
Flexible Type

**Make it easier for you to install Flexible Type
Pin Gear Drive Unit!**

Drum Rotary Drives

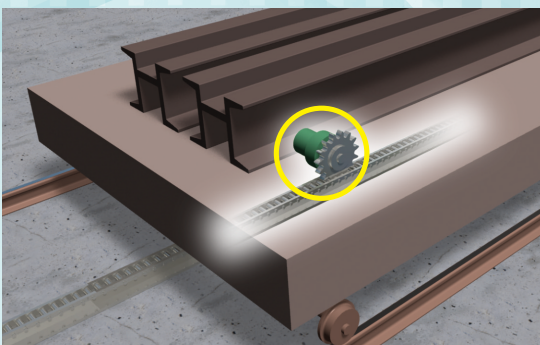


It can be difficult to accurately install parts on a drum, such as a rotary kiln.

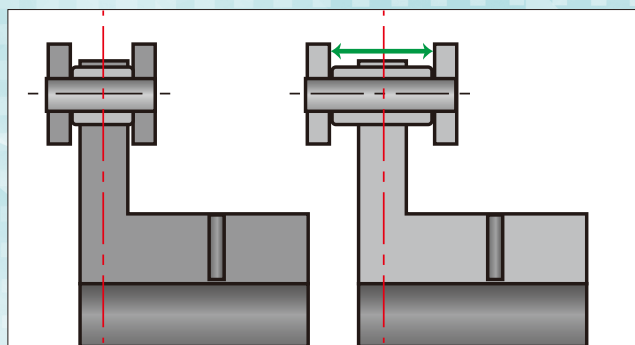


Solution to install problem due to deviations in position and thermal expansion.

Trolley Conveyance

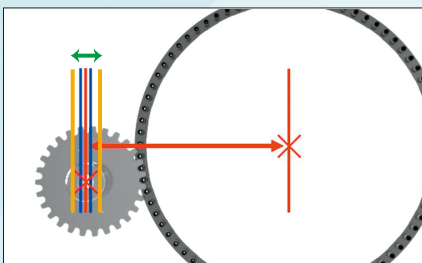


It can be difficult to accurately install racks and gears for trolleys that travel long distances or move heavy loads.

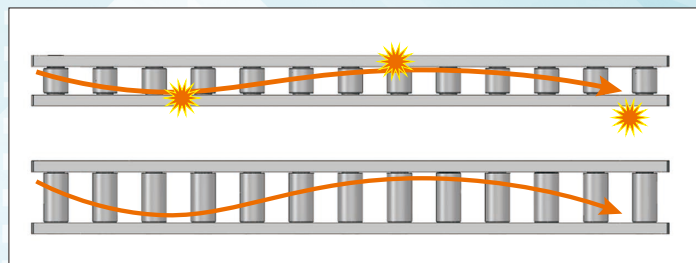


Expand the clearance between pin racks / pin wheels and pin gears.

The Pin Gear Drive Unit Flexible Type simplifies installation.



A dedicated tooth shape makes high-accuracy installations unnecessary.

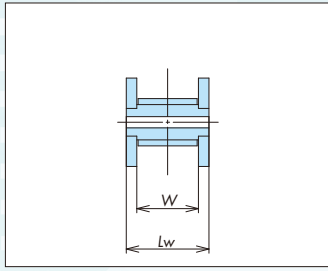


Meandering due to the presence or absence of workpieces and variable loads can also be allowed within a certain range.

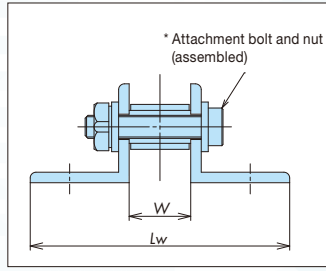


Frame Numbers and Specifications

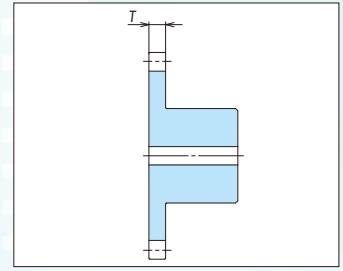
Pin Rack (Flat) / Pin Wheel



Pin Rack (Angle)



Pin Gear

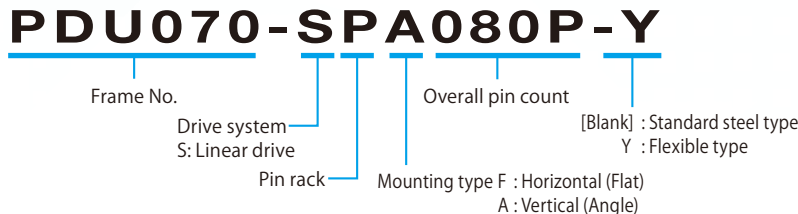


Frame No.	PDU050		PDU055		PDU070		PDU080		PDU090		
	Steel Type	Flexible Type	Steel Type	Flexible Type	Steel Type	Flexible Type	Steel Type	Flexible Type	Steel Type	Flexible Type	
Allowable Tangential Load kN{kgf}	31.7 {3230}	25.3 {2580}	52.9 {5390}	37.0 {3770}	60.7 {6190}	48.5 {4950}	71.5 {7290}	57.2 {5830}	98.9 {10100}	79.1 {8070}	
Backlash mm	0.53 ~ 0.98	0.77 ~ 1.22	0.61 ~ 1.06	1.01 ~ 1.46	0.86 ~ 1.24	1.36 ~ 1.74	0.89 ~ 1.20	1.49 ~ 1.80	0.97 ~ 1.42	1.57 ~ 2.02	
Center Distance tolerance mm	±0.7	±1.57	±0.75	±1.72	±0.9	±2.02	±1.0	±2.2	±1.2	±2.7	
Tooth Width T mm	24	20	30	26	34	32	36	34	45	40	
Inside Width W mm	28	40	36	50	40	72	42	84	52	100	
Overall Width Lw mm	Pin Rack (Flat Type) / Pin Wheel	52	64	60	74	72	104	74	116	90	138
	Pin Rack (Angle Type)	158	170	166	180	190	222	222	264	252	300

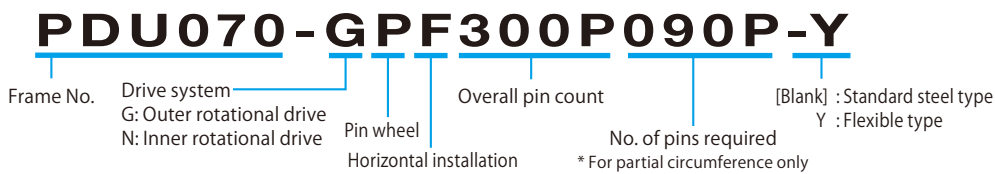
- Measurements are listed in SI units {gravitational units}. Values in curly brackets { } are for reference.
- The other dimensions are the same as for the standard steel model. Refer to the Tsubaki Pin Gear Drive Units catalog for the other dimensions and additional information.
- A pin rack / pin wheel: steel type and pin gear: flexible type can also be used. Refer to the allowable tangential load in the above table.
- The material is steel.
- The advanced rust protection series is not available on flexible type.

Model Numbering Examples

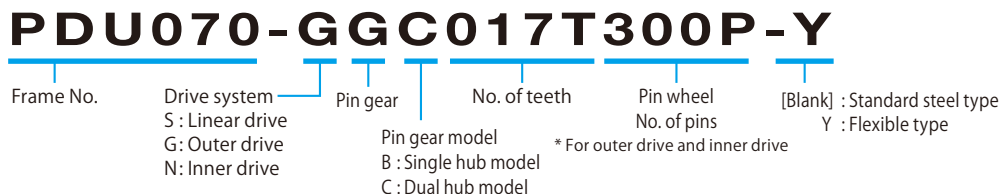
Pin rack



Pin wheel




Pin gear



WEB Content

The selection software on our website makes selecting products easily.

TT-net Content ▶▶▶ <https://tt-net.tsubakimoto.co.jp>

 The TSUBAKI Eco Link logo is used only on products that satisfy the standards for environmental friendliness set by the Tsubaki Group.

The logos and product names appearing in this catalog are the trademarks and registered trademarks both in Japan and other countries of Tsubakimoto Chain Co. and affiliated Group Companies.

Catalog No. KE2104 ©2021/6 TSUBAKIMOTO CHAIN CO.